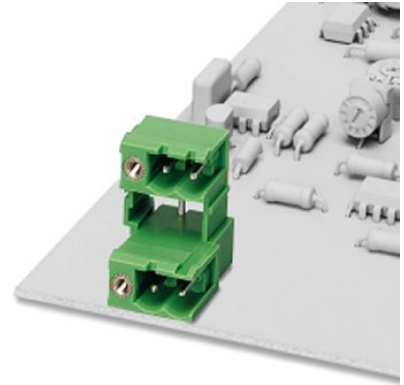


**MDSTB 2,5/ 2-GFL-5,08**

Order No.: 1736771

<http://eshop.phoenixcontact.de/phoenix/treeViewClick.do?UID=1736771>

Header, nominal current: 10 A, rated voltage: 250 V, pitch: 5.08 mm,  
no. of positions: 2, mounting: Soldering

**Commercial data**

EAN	4017918027933
Pack	50 Pcs.
Customs tariff	85366990
Weight/Piece	0.0055 KG
Catalog page information	Page 173 (CC-2005)

**Product notes**

WEEE/RoHS-compliant since:  
01/01/2003



<http://www.download.phoenixcontact.com>  
Please note that the data given here has been taken from the online catalog. For comprehensive information and data, please refer to the user documentation. The General Terms and Conditions of Use apply to Internet downloads.

**Technical data****Dimensions / positions**

Pitch	5.08 mm
Dimension a	5.08 mm
Number of positions	2
Pin dimensions	1 x 1 mm

Hole diameter	1.4 mm
<b>Technical data</b>	
Insulating material group	I
Rated surge voltage (III/3)	4 kV
Rated surge voltage (III/2)	4 kV
Rated surge voltage (II/2)	4 kV
Rated voltage (III/2)	320 V
Rated voltage (II/2)	400 V
Connection in acc. with standard	EN-VDE
Nominal current $I_N$	10 A
Nominal voltage $U_N$	250 V
Maximum load current	10 A
Insulating material	PBT
Inflammability class acc. to UL 94	V0

#### Certificates / Approvals

#### Approval logo



#### CUL

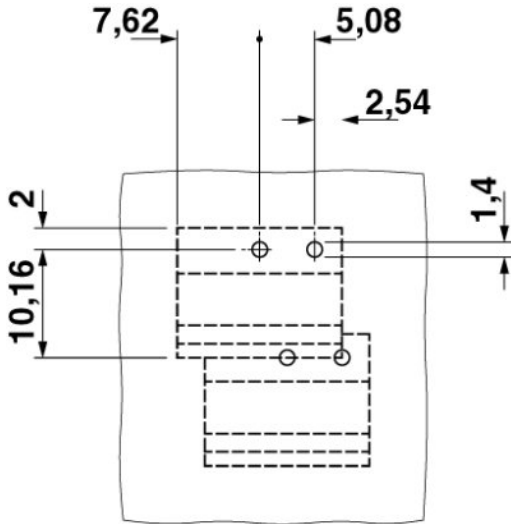
Nominal voltage $U_N$	300 V
Nominal current $I_N$	10 A

#### UL

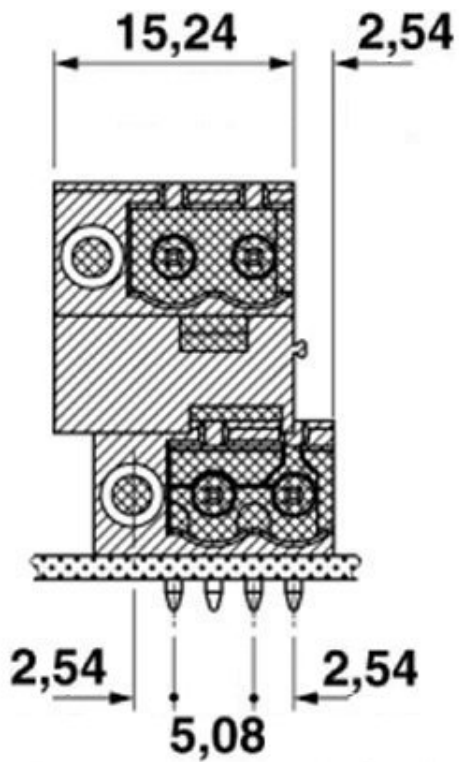
Nominal voltage $U_N$	300 V
Nominal current $I_N$	10 A
Certification	CB, CUL, GL, GOST, UL, VDE-PZI

## Drawings

Drilling diagram



Dimensioned drawing



**Address**

PHOENIX CONTACT GmbH & Co. KG  
Flachmarktstr. 8  
32825 Blomberg, Germany  
Phone +49 5235 3 00  
Fax +49 5235 3 41200  
<http://www.phoenixcontact.com>



© 2008 Phoenix Contact  
Technical modifications reserved;